

# Mating connectors and cable sets for valves and sensors in hydraulics

**RE 08006/04.12**  
Replaces: 08.11

1/34



## Table of contents

---

See page

2 to 5

## Features

---

- Mating connectors and cable sets for the electrical connection to
  - Valve solenoids
  - Valves with installed electronics
  - Position and pressure sensors
- Different designs and standards
- Plastic and metal versions

## For valves with round connector according to EN 175201-804, 6-pole + PE as well as 6-pole, compatible with VG 95328

### – Mating connectors

#### Ordering code

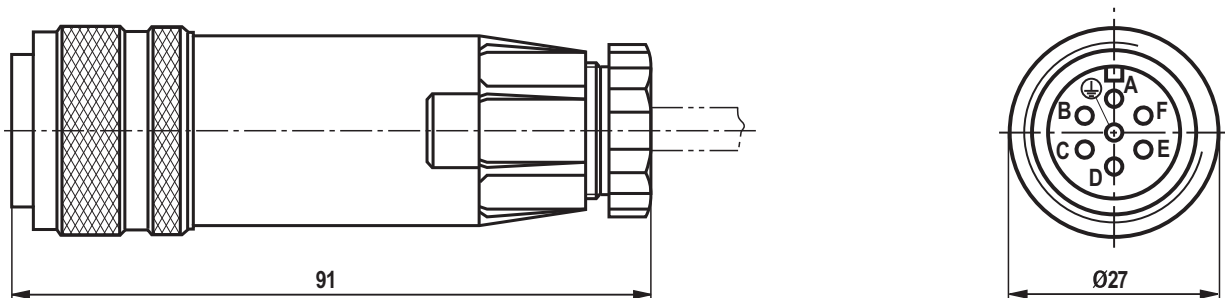
Short designation	Voltage DC / AC $U$	Current $I_{max}$	Fitting	Cable diameter Connection cross-section	Material number	Circuit diagram Pole pattern
<b>6-pole + PE, plastic version</b>						
7PZ31...K	24	3	PG 11	6.5...11 mm 0.5...1.5 mm <sup>2</sup>	R900021267	
<b>6-pole + PE, metal version</b>						
7PZ31...M	24	3	PG 11	8,0...13.5 mm 0.5...1.5 mm <sup>2</sup>	R900223890	
<b>6-pole, metal version, compatible with VG 95328</b>						
6P KPTC6	24	3	Special	4.5...7 mm 0.4...0.75 mm <sup>2</sup>	R901043330	

#### Technical data (For applications outside these parameters, please consult us!)

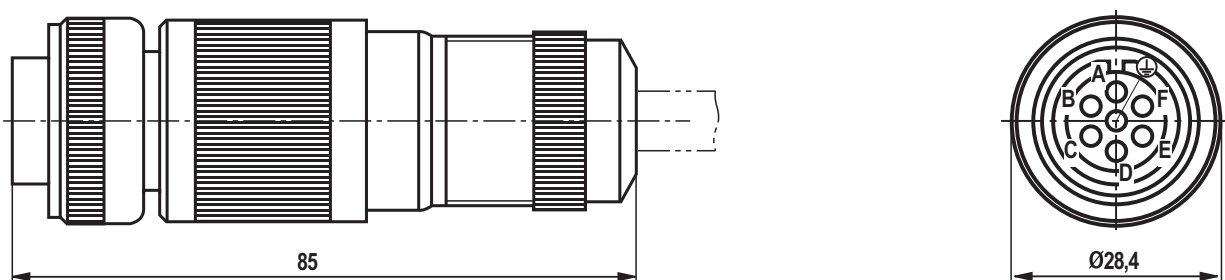
Ambient temperature	°C	–40 to +100
Protection class according to EN 60529		IP 67
Number of poles		6 (+ PE)
Type of connection	7PZ31...	Soldered joint
	6P KPTC6	Crimping connection (crimping contacts in the scope of delivery)

### Unit dimensions (dimensions in mm)

#### 6-pole + PE, plastic version, 7PZ31...K

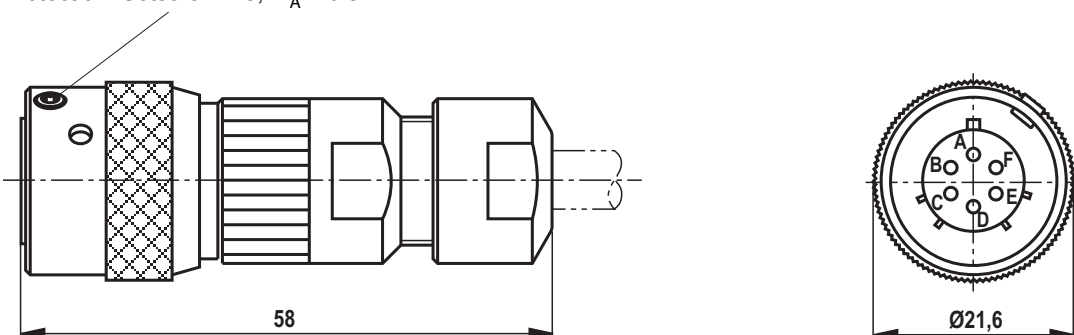


#### 6-pole + PE, metal version, 7PZ31...M



#### 6-pole, metal version, compatible with VG 95328, 6P KPTC6

Protection: Setscrew M3,  $M_A = 0.3 \text{ Nm}$



### Accessories for "6P KPTC6" (not included in scope of delivery)

Company ITT Canon	Order number
Crimping pliers	M22520/1-01
Crimping insert	M22520/1-02
Installation tool	CiTG-20A
Installation pliers	CIT-KPTC-20