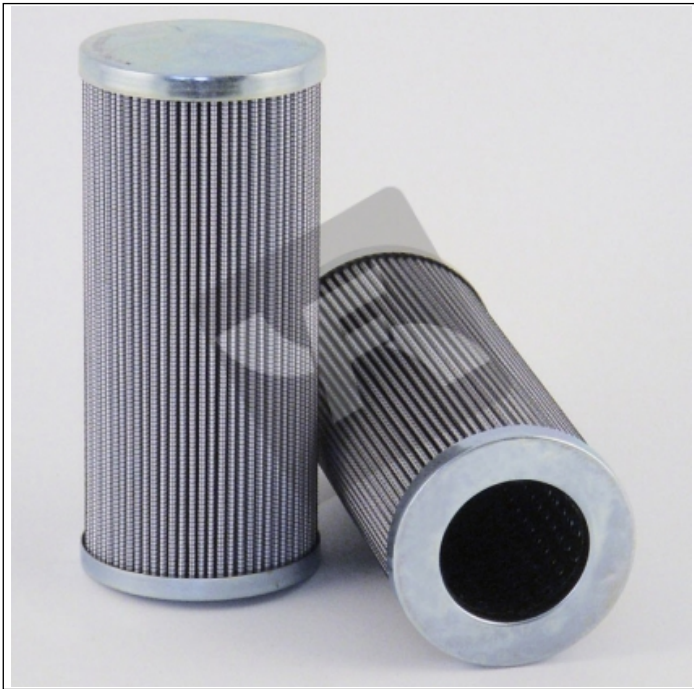


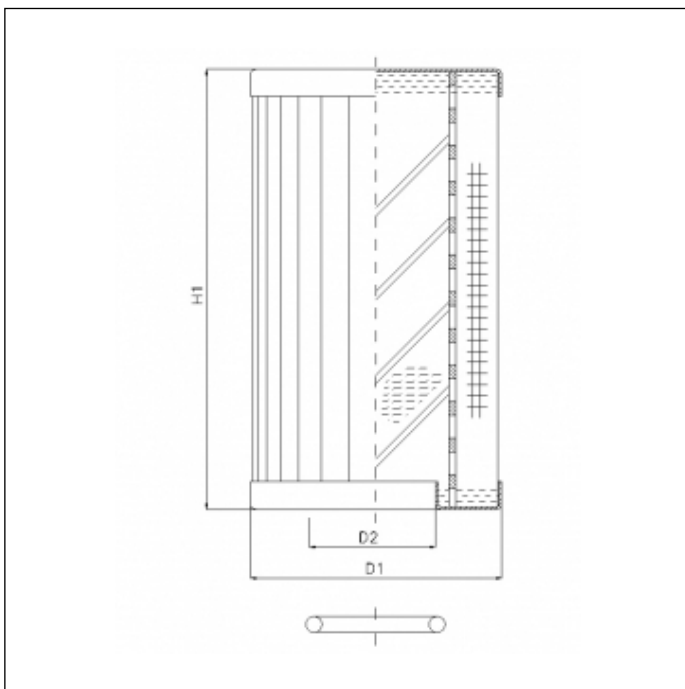
RLR175E20B/5

printed on: 09-06-2026



TECHNICAL INFO

Media type	INORGANIC FIBERGLASS
Efficiency	20 $\mu\text{m}_{(c)}$ $\beta_x \geq 200$
Efficiency 1	22 $\mu\text{m}_{(c)}$ $\beta_x \geq 1000$
Flow direction	OUT-IN
Collapse Δp	16 bar
Seals	NBR
Temperature range	-30°C +100°C
Note	PROVIDED WITH SPARE OR GASKET



OVERALL DIMENSIONS

D1	75,0 mm
D2	45,0 mm
H1	166,0 mm