

Original Element Data Sheet

Element Type

Description PT4-3-05Q-B-25

Parker Part No. 936877Q

Dimensional References

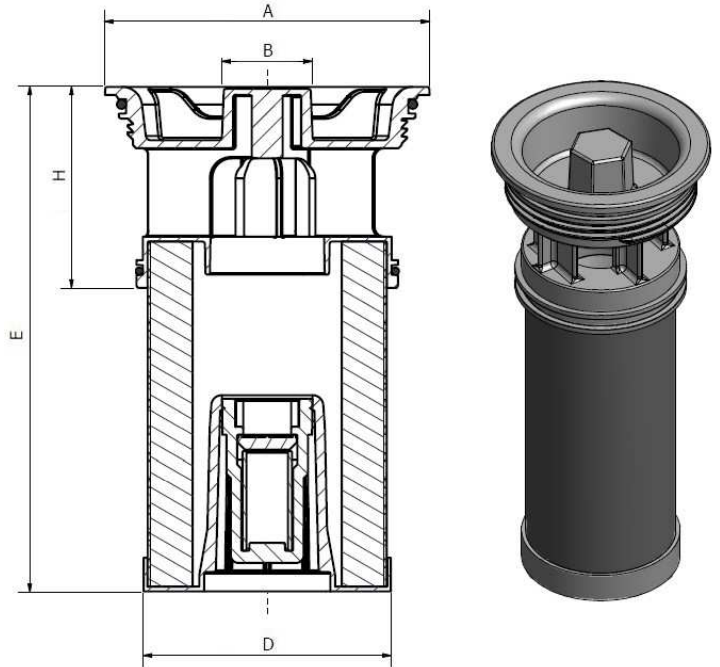
A (mm) 103

B (mm) 24 Hex.

D (mm) 78.5

E (mm) 370

H (mm) 64



Construction Materials

Seal(s) NBR (Nitrile)

Top Endcap Nylon, glass reinforced

Bottom Endcap Nylon, glass reinforced

Support Cylinder Mild steel, Tin plated

Filter Media Multilayer fibreglass with coated mesh support

Performance Criteria

Differential Pressure Clean Element

Acc. to ISO3968 @ 205 L/min, 30cSt \approx 0.56 bar

Efficiency acc. to ISO16889, for $\beta_x(c) \geq 200$

$x = 6\mu$

Minimum Burst Pressure acc. to ISO2941

10 bar

Dirt Holding Capacity acc. to ISO16889

@ 2 bar terminal pressure drop \approx 82,7 grams